

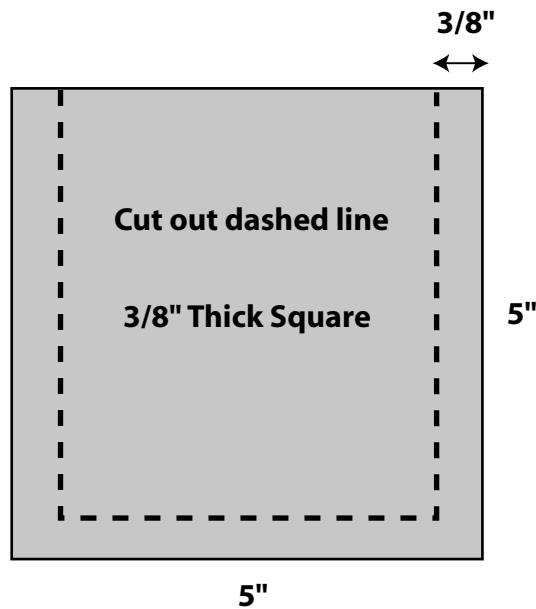
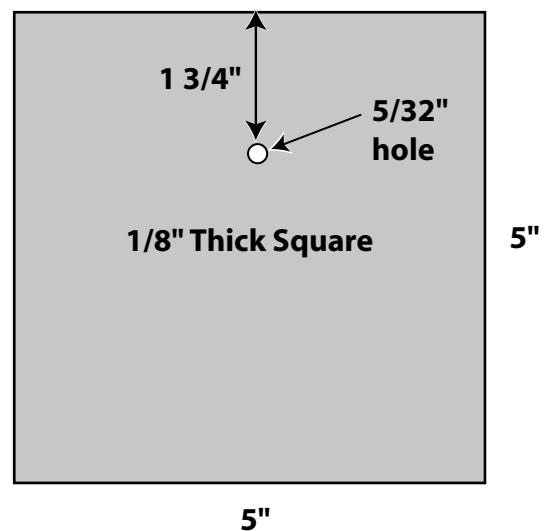
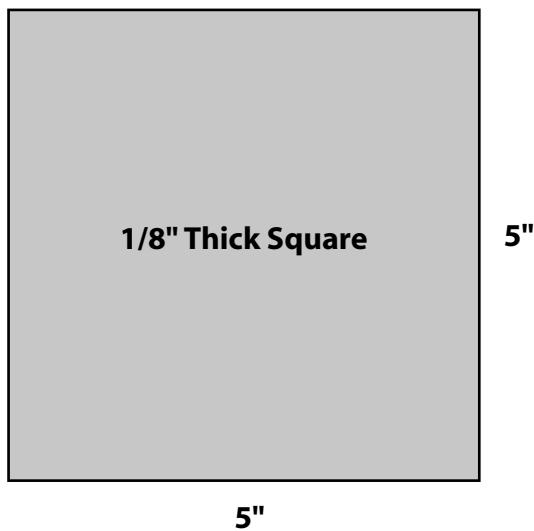
Instructions for building plexi-glass groundwater models
Andrew Warnock

Materials:

- (2) 1/8" sheet of acrylic
- (1) 3/8" sheet of acrylic
- Craftics Thickened Cement (1 1/2 fluid oz = \$3.90)
- Craftics Plas-Drill Bit (5/32" = \$3.40)

Tools:

- Band saw
- Drill



Make sandwich and glue